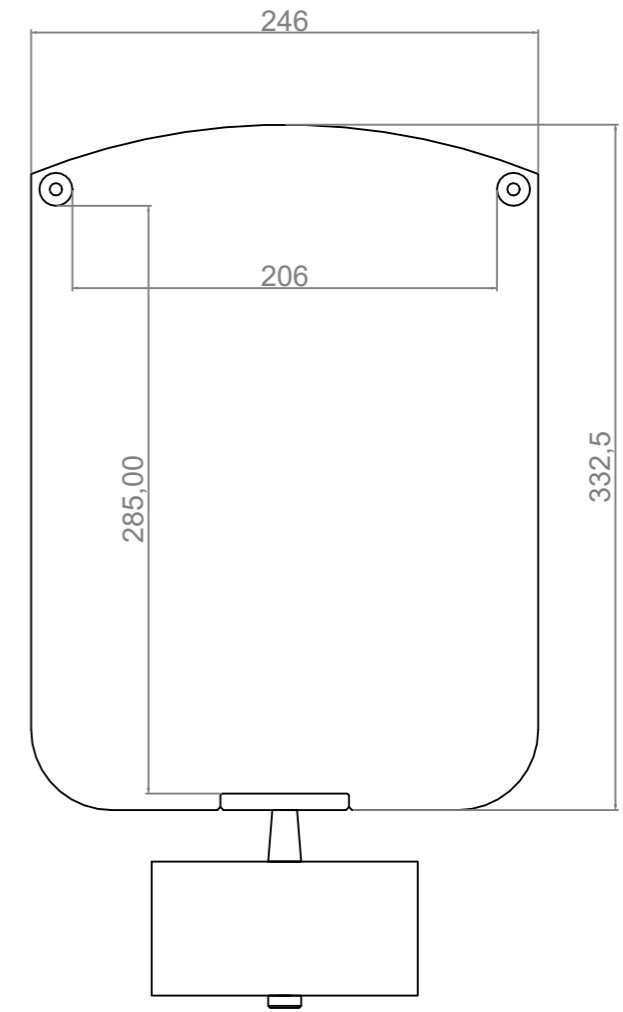
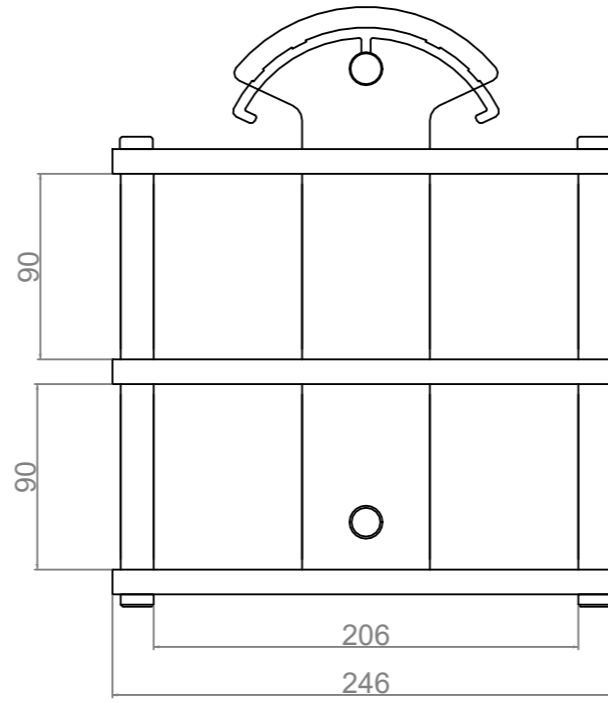
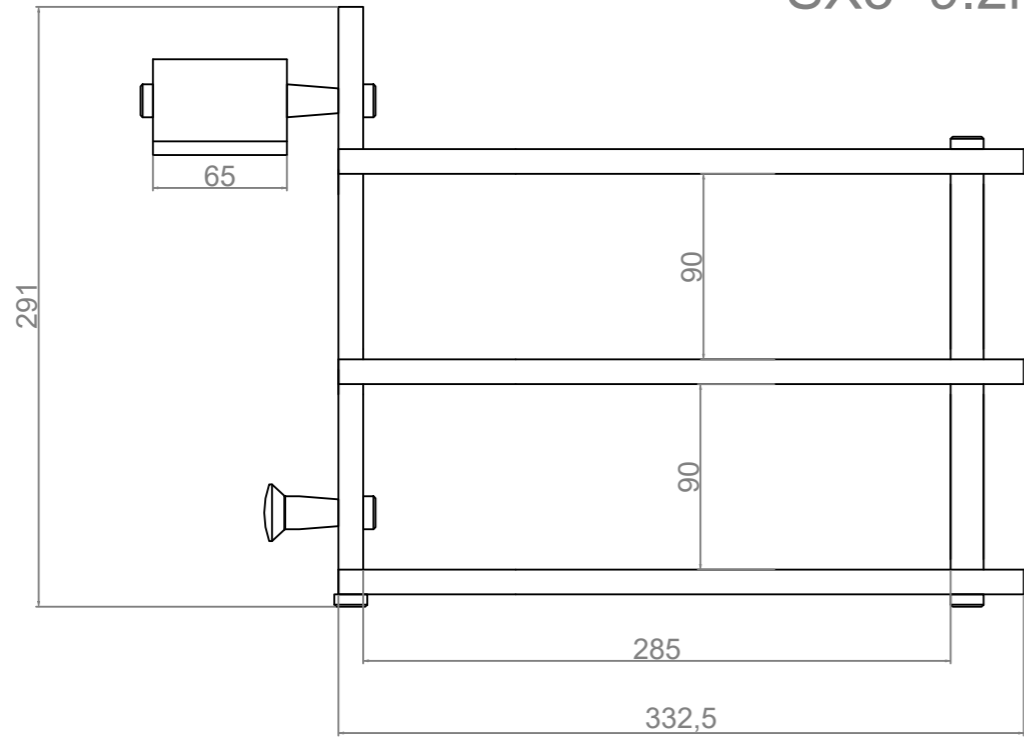
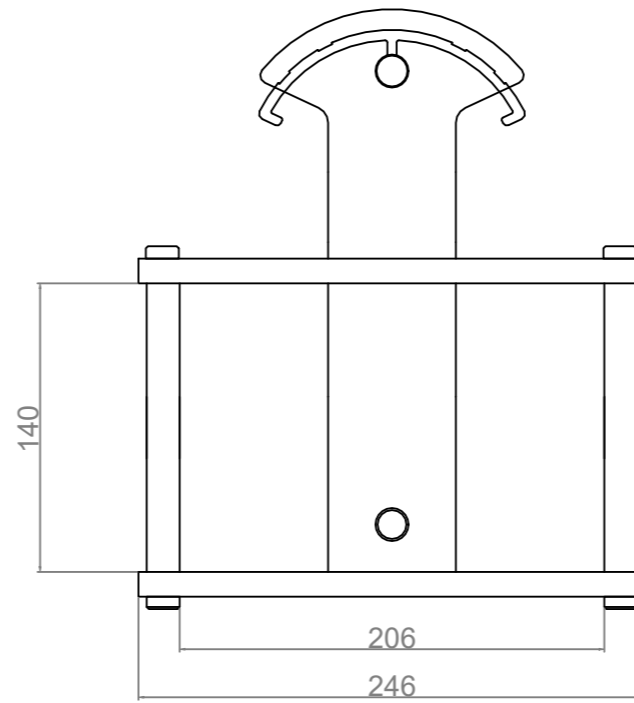
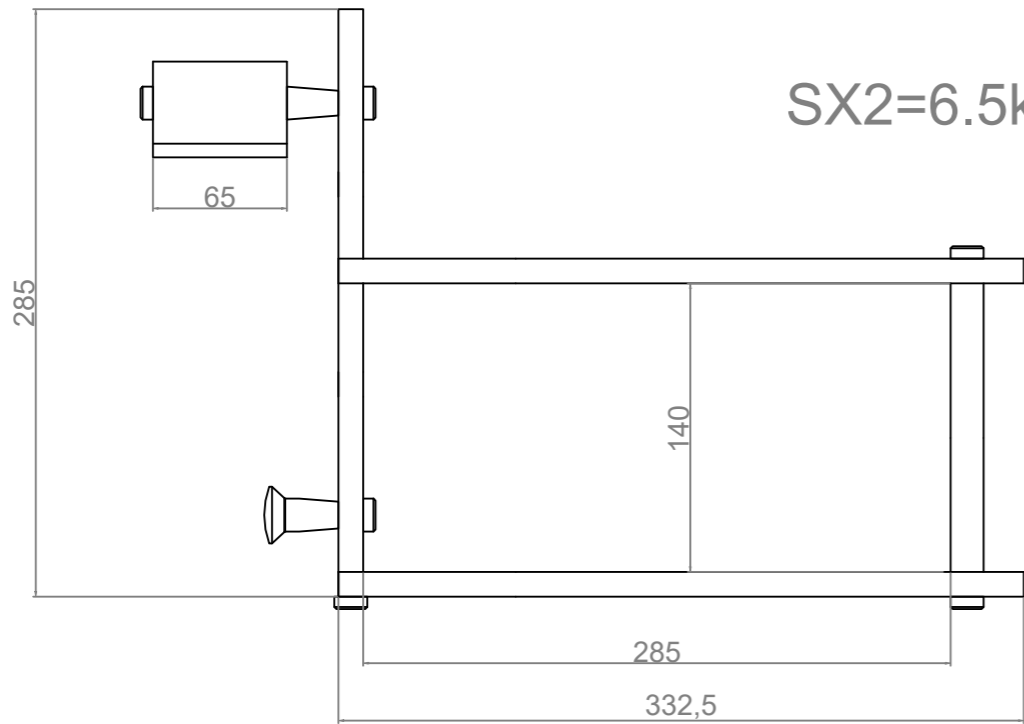


s4audio

SX3=9.2kg



SX2=6.5kg



Dimensions of headphone stand
are identical as X1 and X2